

# HID LAMPS & CONTROL GEAR SELECTION TABLE

## HPS - SUNLUX ACE® LAMPS

150W

Lamp	Type	Lamp Type	Lumens*	Av. Life	Burning Pos.			
	NH150LX	Clear	15500	24000	Universal			
	NH150FLX	Coated	15000	24000	Universal			
Control Gear	Gear Type No	Input Volts	Hz	Supply Current (at 0.9F) Start Current Run Current	Lamp Values Lamp Volts Lamp Current	Weight (Kg)	Fig <sup>†</sup>	Dimensions (mm) Length Width Height
	S150LXGTS	240	50	1.42 0.88	130 1.5	2.65	1	290 140 48
	RS150LXCB	240	50	1.42 0.88	130 1.5	5.75	3	430 239 160

110W

Lamp	Type	Lamp Type	Lumens*	Av. Life	Burning Pos.			
	NH110LX	Clear	11600	24000	Universal			
	NH110FLX	Coated	11000	24000	Universal			
	NHR110LX	Reflector	7400**	24000	Universal			
Control Gear	Gear Type No	Input Volts	Hz	Supply Current (at 0.9F) Start Current Run Current	Lamp Values Lamp Volts Lamp Current	Weight (Kg)	Fig <sup>†</sup>	Dimensions (mm) Length Width Height
	S110GTS	240	50	0.961 0.634	125 1.15	2.15	1	290 140 58
	RS110CB	240	50	0.961 0.634	125 1.15	4.7	3	430 239 160

220W

Lamp	Type	Lamp Type	Lumens*	Av. Life	Burning Pos.			
	NH220LX	Clear	28000	24000	Universal			
	NH220FLX	Coated	25500	24000	Universal			
	NHR220LX	Reflector	20000**	24000	Universal			
	NHT220LX	Tubular	28000	24000	Universal			
	NH220FDLX	Coated	19000	24000	Universal			
Control Gear	Gear Type No	Input Volts	Hz	Supply Current (at 0.9F) Start Current Run Current	Lamp Values Lamp Volts Lamp Current	Weight (Kg)	Fig <sup>†</sup>	Dimensions (mm) Length Width Height
	S220GTS	240	50	1.85 1.25	130 2.13	3.45	1	290 140 90
	RS220CB	240	50	1.85 1.25	130 2.13	6	3	430 239 160

360W

Lamp	Type	Lamp Type	Lumens*	Av. Life	Burning Pos.			
	NH360LX	Clear	50000	24000	Universal			
	NH360FLX	Coated	46000	24000	Universal			
	NHR360LX	Reflector	34000**	24000	Universal			
	NHT360LX	Tubular	50000	24000	Universal			
	NH360FDLX	Coated	36000	24000	Universal			
Control Gear	Gear Type No	Input Volts	Hz	Supply Current (at 0.9F) Start Current Run Current	Lamp Values Lamp Volts Lamp Current	Weight (Kg)	Fig <sup>†</sup>	Dimensions (mm) Length Width Height
	S360GTS	240	50	3.15 1.98	135 3.25	3.75	1	290 140 90
	RS360CB	240	50	3.15 1.98	135 3.25	7	3	430 239 160

660W

Lamp	Type	Lamp Type	Lumens*	Av. Life	Burning Pos.			
	NH660LX	Clear	95000	24000	Universal			
	NH660FLX	Coated	90000	24000	Universal			
	NHR660LX	Reflector	72000**	24000	Universal			
Control Gear	Gear Type No	Input Volts	Hz	Supply Current (at 0.9F) Start Current Run Current	Lamp Values Lamp Volts Lamp Current	Weight (Kg)	Fig <sup>†</sup>	Dimensions (mm) Length Width Height
	S660GTS	240	50	5.7 3.4	140 5.4	6.8	2	345 188 90
	RS660CB	240	50	5.7 3.4	140 5.4	11.8	4	635 262 170

940W

Lamp	Type	Lamp Type	Lumens*	Av. Life	Burning Pos.			
	NH940LX	Clear	138000	24000	Universal			
	NH940FLX	Coated	131000	24000	Universal			
	NHR940LX	Reflector	110000**	24000	Universal			
	NHT940LX	Tubular	138000	24000	Universal			
Control Gear	Gear Type No	Input Volts	Hz	Supply Current (at 0.9F) Start Current Run Current	Lamp Values Lamp Volts Lamp Current	Weight (Kg)	Fig <sup>†</sup>	Dimensions (mm) Length Width Height
	S940GTS	240	50	6.35 4.54	145 7.5	9.5	2	345 188 90
	RS940CB	240	50	6.35 4.54	145 7.5	14	4	635 262 170
	S940B/GTS	415	50	4.12 2.87	145 7.5	19.2	2	345 188 115
	RS940B/CB	415	50	4.12 2.87	145 7.5	24.2	4	635 262 170

† Figures depicted on P189.

\*Lumen output quoted refers to initial value.

\*\* Beam Lumens.

# HID LAMPS & CONTROL GEAR SELECTION TABLE

## HPS - SUNLUX® LAMPS

150W

Lamp	Type	Lamp Type	Lumens*	Av. Life	Burning Pos.	Control Gear									
	NH150F NHT150 NHR150					Coated Tubular Reflector	14000 14500 9700**	24000 24000 24000	Universal Universal Universal	Gear Type No	Input Volts	Hz	Supply Current (at 0.9F) Start Current Run Current	Lamp Values Lamp Volts Lamp Current	Weight (Kg)
						S150GTS	240	50	1	0.78	100	1.8	3.6	1	290 140 80
						RS150CB	240	50	1	0.78	100	1.8	6.1	3	430 239 160

250W

Lamp	Type	Lamp Type	Lumens*	Av. Life	Burning Pos.	Control Gear									
	NH250F NHT250 NHR250					Coated Tubular Reflector	25800 27500 19800**	24000 24000 24000	Universal Universal Universal	Gear Type No	Input Volts	Hz	Supply Current (at 0.9F) Start Current Run Current	Lamp Values Lamp Volts Lamp Current	Weight (Kg)
						S250GTS	240	50	1.6	1.28	100	3	4.3	1	290 140 80
						RS250CB	240	50	1.6	1.28	100	3	6.8	3	430 239 160

400W

Lamp	Type	Lamp Type	Lumens*	Av. Life	Burning Pos.	Control Gear									
	NH400 NH400F NHR400 NHT400					Clear Coated Reflector Tubular	50000 47800 33600** 50000	24000 24000 24000 24000	Universal Universal Universal Universal	Gear Type No	Input Volts	Hz	Supply Current (at 0.9F) Start Current Run Current	Lamp Values Lamp Volts Lamp Current	Weight (Kg)
						S400GTS	240	50	2.8	2.02	100	4.6	5.5	1	290 140 95
						RS400CB	240	50	2.8	2.02	100	4.6	8	3	430 239 160

1000W

Lamp	Type	Lamp Type	Lumens*	Av. Life	Burning Pos.	Control Gear									
	NH1000 NH1000F NHT1000 NHT1000B					Clear Coated Tubular Tubular	133000 125000 133000 140000	24000 24000 24000 24000	Universal Universal Universal Universal	Gear Type No	Input Volts	Hz	Supply Current (at 0.9F) Start Current Run Current	Lamp Values Lamp Volts Lamp Current	Weight (Kg)
						S1000GTS	240	50	5.29	5.18	100	10.6	11	2	345 188 99
						RS1000CB	240	50	5.29	5.18	100	10.6	15.5	4	635 262 170

† Figures depicted on P189.

\*Lumen output quoted refers to initial value.

\*\* Beam Lumens.

# HID LAMPS & CONTROL GEAR SELECTION TABLE

## HPS - IGNITRON™ LAMPS

70W

Lamp	Type	Lamp Type	Lumens*	Av. Life	Burning Pos.			
	NH70/HV/I/70S	Clear	5800	16000	Universal			
	NHT70/I	Tubular	6000	16000	Universal			
Control Gear	Gear Type	Input Volts	Hz	Supply Current (at 0.9F) Start Current    Run Current	Lamp Values Lamp Volts    Lamp Current	Weight (Kg)	Fig	Dimensions (mm) Length    Width    Height
	S70GTS/FEC	240	50	0.47    0.403	90    0.98	2.05	1	290    140    59

150W

Lamp	Type	Lamp Type	Lumens*	Av. Life	Burning Pos.			
	NH150F/HV/I	Coated	14000	24000	Universal			
	NHT150/I	Tubular	14500	24000	Universal			
Control Gear	Gear Type	Input Volts	Hz	Supply Current (at 0.9F) Start Current    Run Current	Lamp Values Lamp Volts    Lamp Current	Weight (Kg)	Fig	Dimensions (mm) Length    Width    Height
	S150TS/FEC	240	50	1    0.78	100    1.8	3.6	1	290    140    90
	RS150CB/FEC	240	50	1    0.78	100    1.8	6.6	3	430    239    160

250W

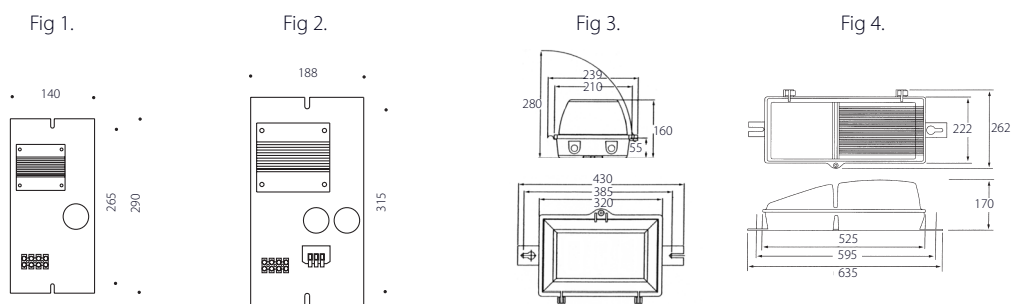
Lamp	Type	Lamp Type	Lumens*	Av. Life	Burning Pos.			
	NH250F/I	Coated	25800	24000	Universal			
	NHT250/I	Tubular	27500	24000	Universal			
Control Gear	Gear Type	Input Volts	Hz	Supply Current (at 0.9F) Start Current    Run Current	Lamp Values Lamp Volts    Lamp Current	Weight (Kg)	Fig	Dimensions (mm) Length    Width    Height
	S250GTS/FEC	240	50	1.6    1.28	100    3	4.3	1	290    140    90
	RS250CB/FEC	240	50	1.6    1.28	100    3	7.3	3	430    239    160

400W

Lamp	Type	Lamp Type	Lumens*	Av. Life	Burning Pos.			
	NH400F/I	Coated	47800	24000	Universal			
	NHT400/I	Tubular	50000	24000	Universal			
Control Gear	Gear Type	Input Volts	Hz	Supply Current (at 0.9F) Start Current    Run Current	Lamp Values Lamp Volts    Lamp Current	Weight (Kg)	Fig	Dimensions (mm) Length    Width    Height
	S400GTS/FEC	240	50	2.8    2.02	100    4.6	5.5	1	290    140    90
	RS400CB/FEC	240	50	2.8    2.02	100    4.6	8.5	3	430    239    160

1000W

Lamp	Type	Lamp Type	Lumens*	Av. Life	Burning Pos.			
	NHT1000/I	Tubular	133000	24000	Universal			
Control Gear	Gear Type	Input Volts	Hz	Supply Current (at 0.9F) Start Current    Run Current	Lamp Values Lamp Volts    Lamp Current	Weight (Kg)	Fig	Dimensions (mm) Length    Width    Height
	S1000GTS/FEC	240	50	5.29    5.18	100    10.6	10.5	2	345    188    90
	RS1000CB/FEC	240	50	5.29    5.18	100    10.6	15	4	635    262    170



\*Lumen output quoted refers to initial value.